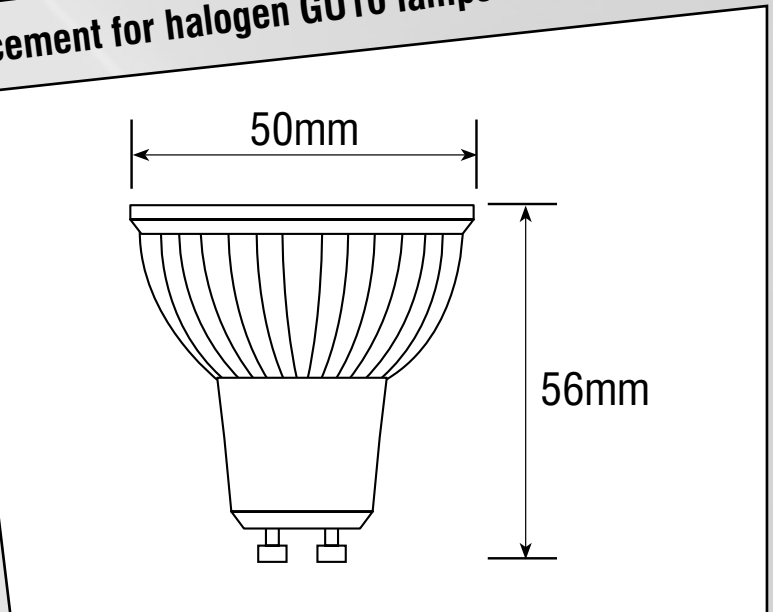


**Eco-Star High Power 2W GU10 LED**  
Warm White and Cool White

Like for like size replacement for halogen GU10 lamps



Prolite are now able to offer a high power LED cluster lamp. Designed to replace low energy (CFL) GU10 lamps from 7W - 13W. This lamp has an innovative design and is installed into a standard GU10 halogen body for 100% retro-fit installations. Available in a choice of warm white or cool white colour temperatures.

- Rated A++ for maximum energy savings
- 120° beam angle
- Uses just 2W total power consumption
- Fitted with 48 LED's for maximum efficiency
- 240V
- Average life 30,000 hours



PRODUCT CODE	POWER (W)	COLOUR TEMPERATURE	LUMENS	DIMENSIONS
GU10/LED/48/WW	2	3000K Warm White	200	56mm x 50mm
GU10/LED/48/CW	2	6000K Cool White	220	56mm x 50mm

RoHS   

For more information call the lamps team on **01780 758590**