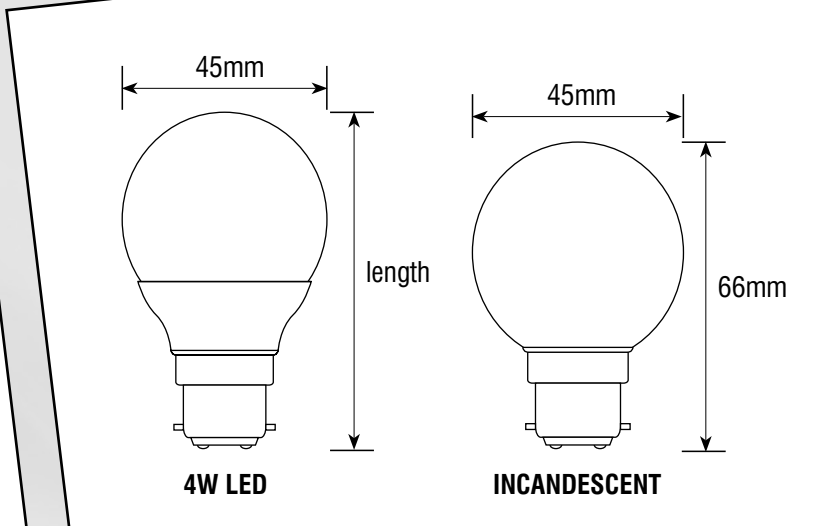


LED Golf Ball 4W

3000K Warm White

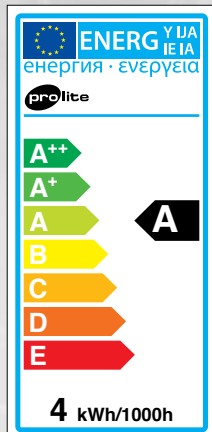
High power replacement for the incandescent golf ball lamp



The Prolite LED Golf Ball is an ideal replacement for incandescent or compact fluorescent candle lamps. It gives many advantages including instant full light, longer life and vastly improved efficiency. Available in a choice of BC or SES cap.

SPECIFICATIONS

Total Lumen Output:	300 Lm
Wattage:	4W
Voltage:	240V
Average Life:	30,000h
Not Dimmable	
Switching Cycles:	>15,000
Instant Full Light	
Colour Temperature:	3000K
2500K	4500K 6500K



RoHS



PRODUCT CODE	CAP TYPE	DIMENSIONS
GOLFLED4WBC3K	BC	73 x 45mm
GOLFLED4WSES3K	SES	80 x 45mm