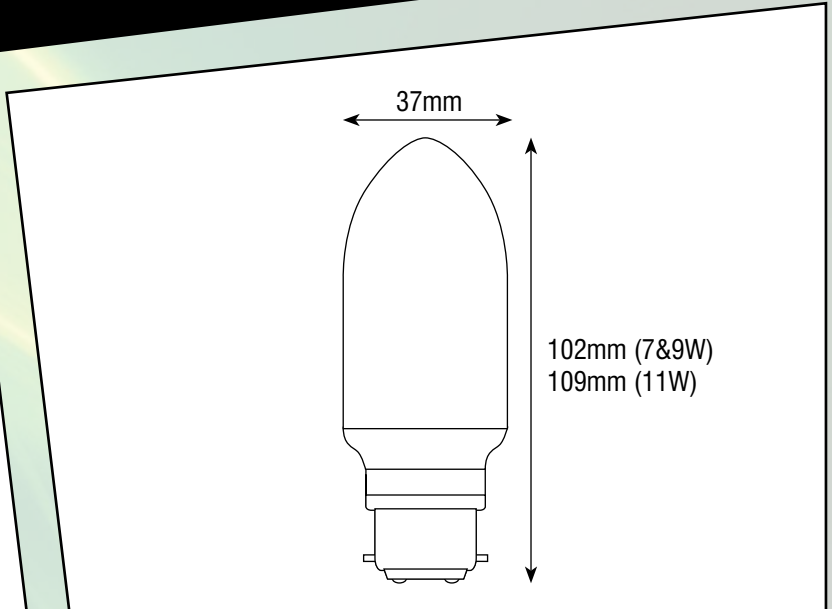


Candle T2 Compact Fluorescent

Available in Warm White



The Prolite energy saving compact fluorescent candle lamps are designed to replace frosted incandescent bulbs. With an ultra compact design making them suitable for all kinds of applications where size is crucial. Available in wattages 7W, 9W and 11W, and bases BC, SBC, ES and SES and in 2700k.

- All helix lamps rated A for efficiency
- 240V mains voltage
- Average life 8,000 hours
- Non dimmable
- Switching cycles >8,000
- Time to 60% brightness <40 seconds
- Mercury content <1mg

PRODUCT CODE	WATTAGE	LUMENS	COLOUR TEMPERATURE	DIMENSIONS
CEL/T2/7W/XX/27	7W	290 Lm	2700K	102 x ø37mm
CEL/T2/9W/XX/27	9W	405 Lm	2700K	102 x ø37mm
CEL/T2/11W/XX/27	11W	530 Lm	2700K	109 x ø37mm

XX - Enter cap type: BC, ES, SBC or SES

